

# DCM

Schematics

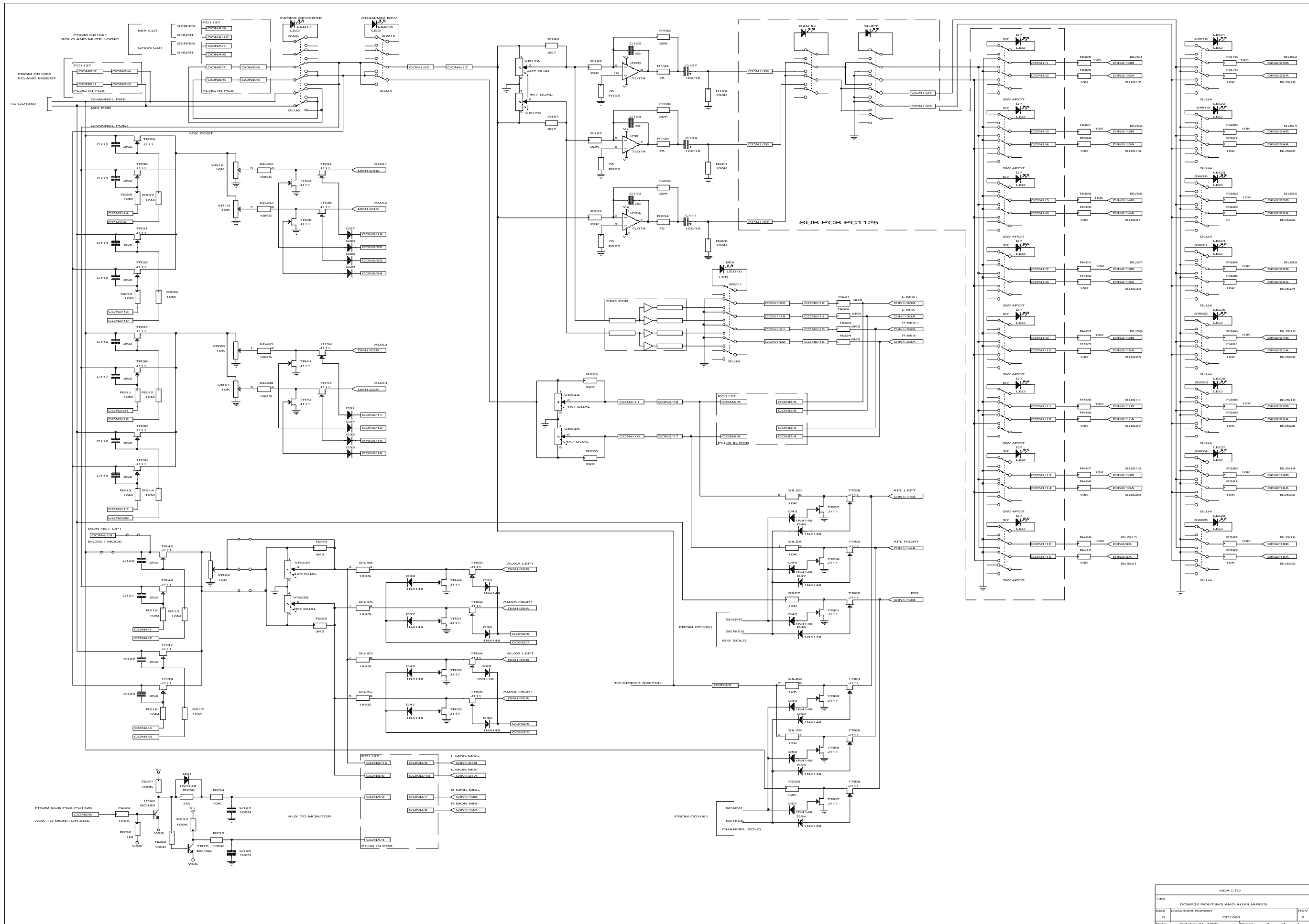
Klark Teknik Building  
Walter Nash Road  
Kidderminster  
Worcestershire  
DY11 7HJ

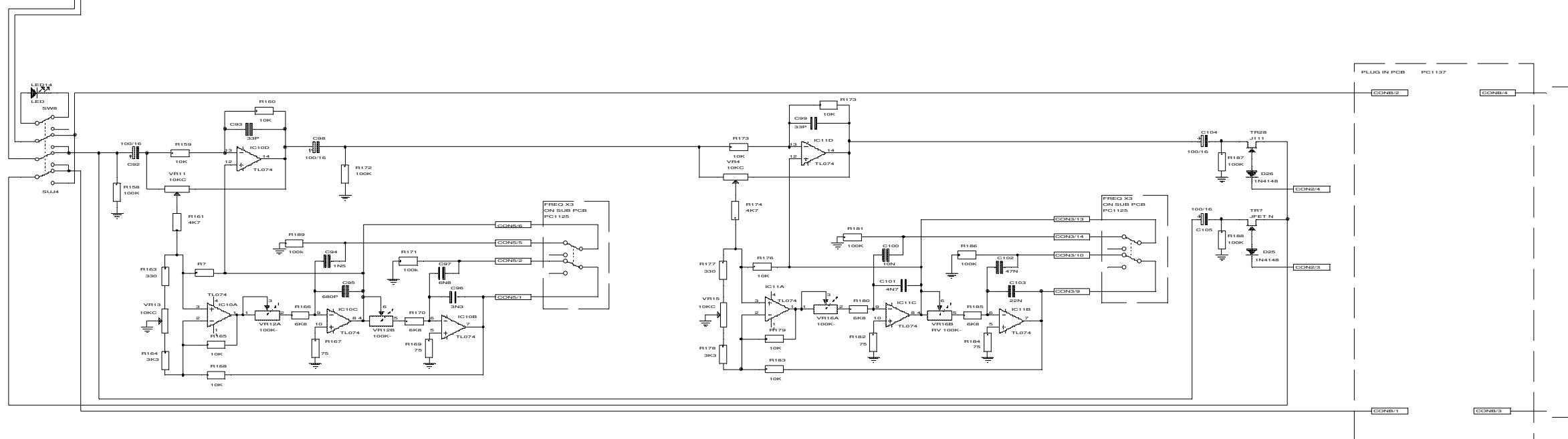
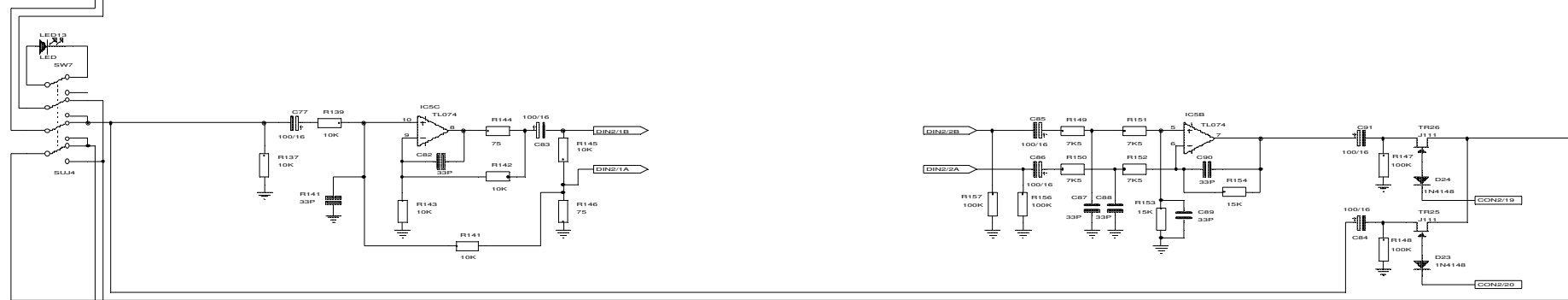
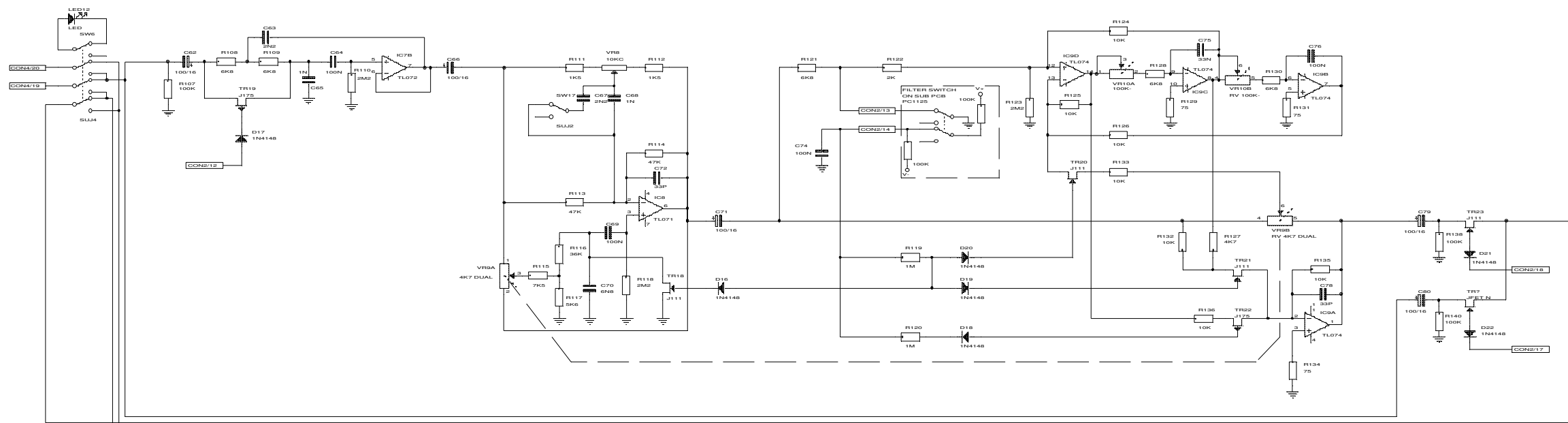
Tel: +44 (0) 1562 741515  
Fax: +44 (0) 1562 745371

Email: [info@uk.telex.com](mailto:info@uk.telex.com)  
Website: [www.ddaconsoles.com](http://www.ddaconsoles.com)

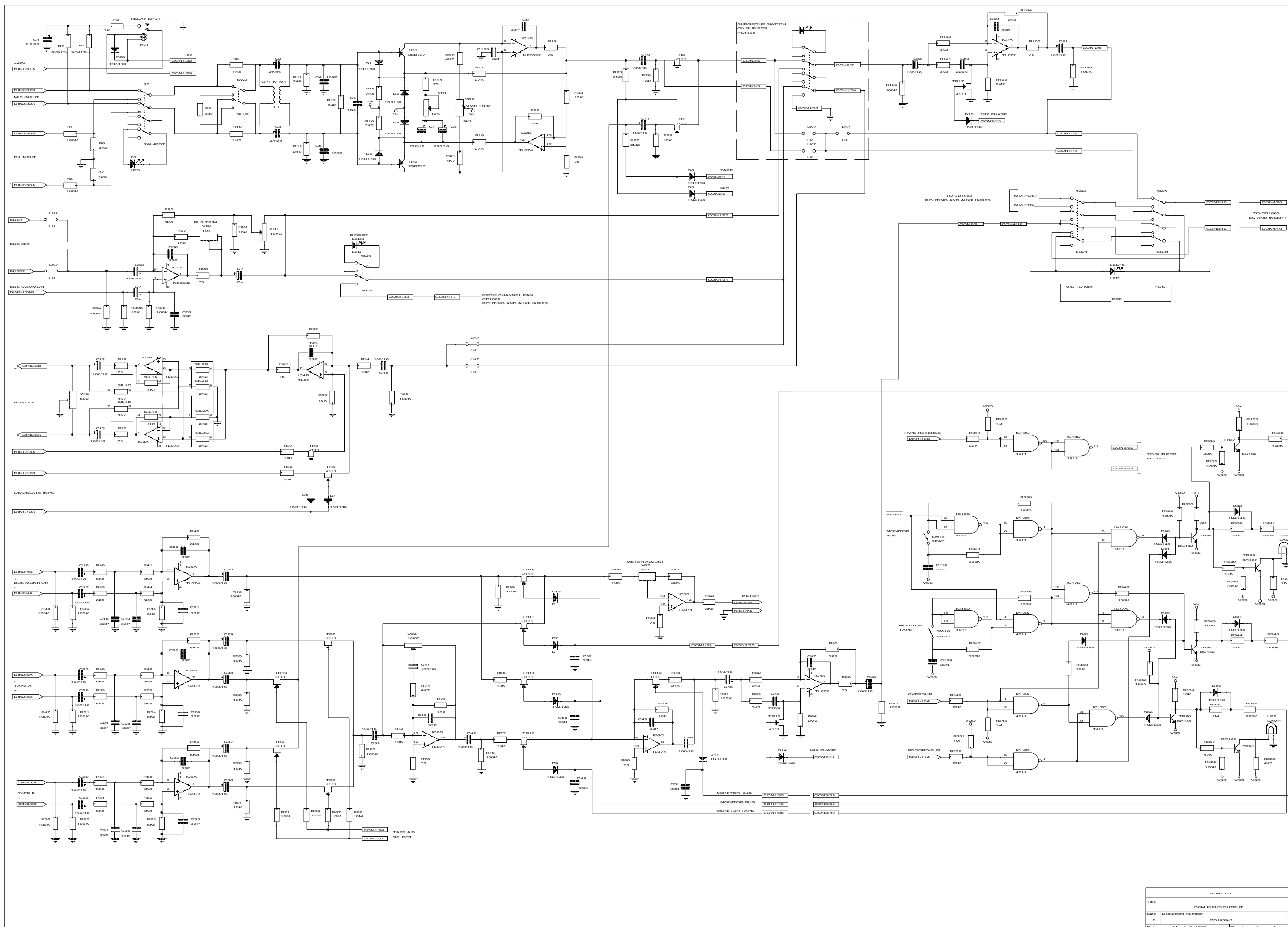
DCM Schematics  
© Telex Communications (UK) Limited

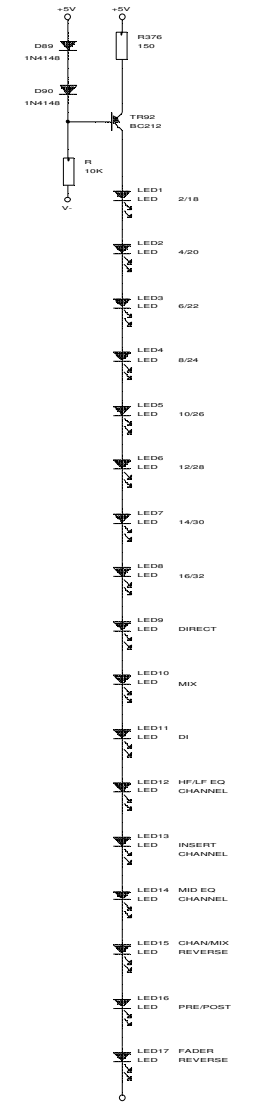
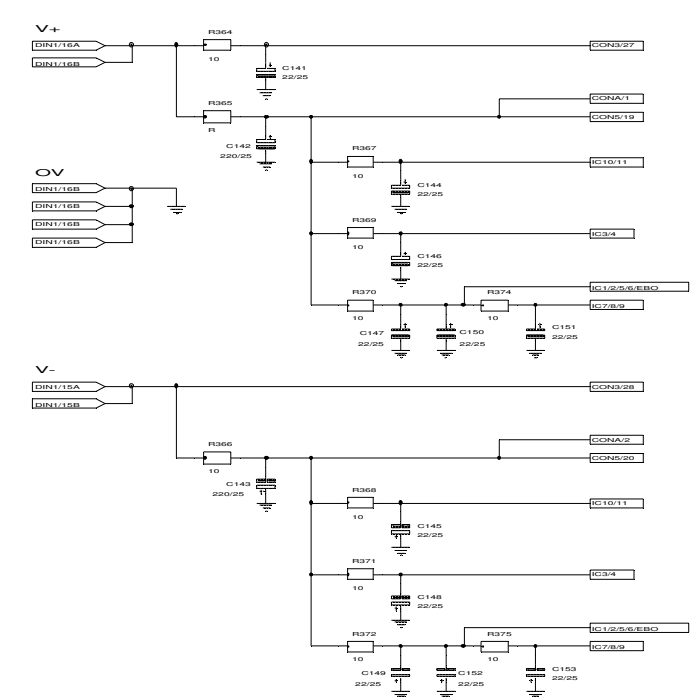
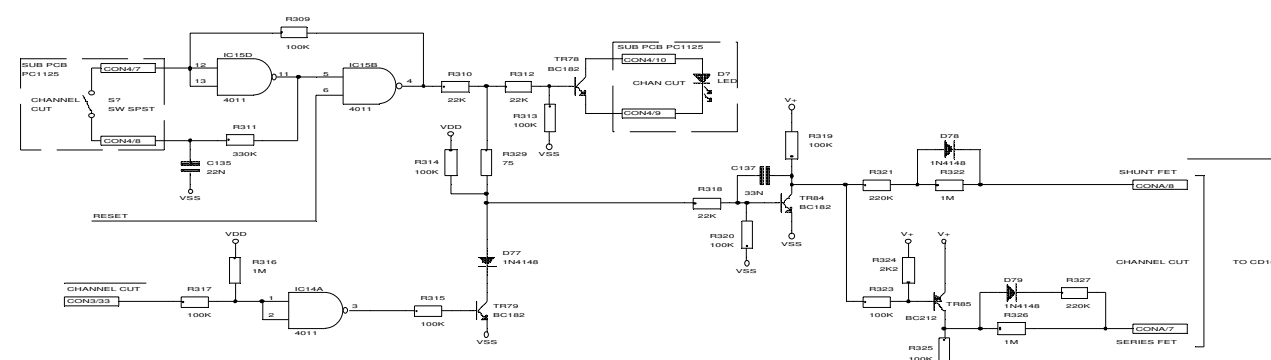
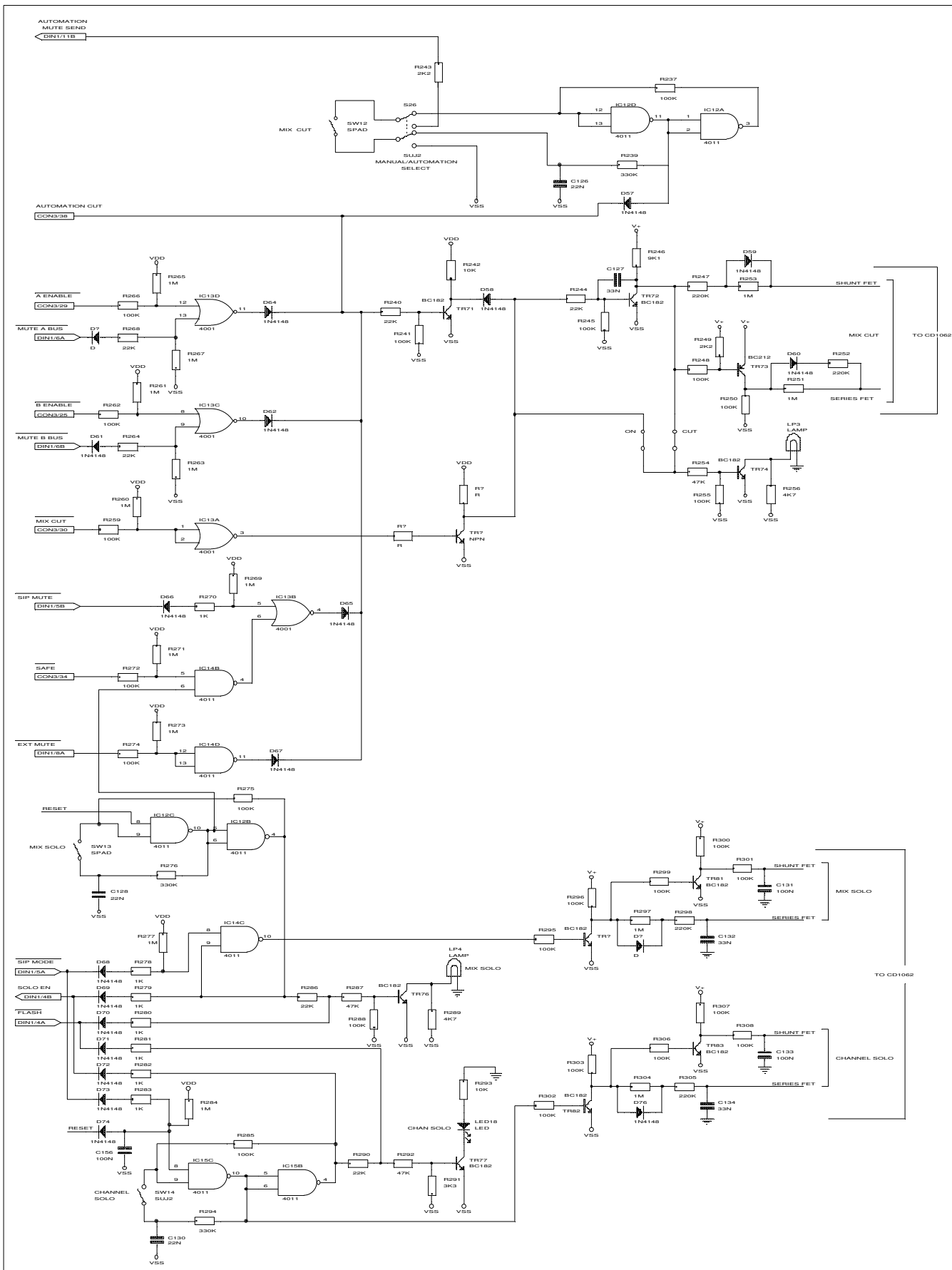
In line with the company's policy of continual improvement, specifications and function maybe subject to change without notice. This Operator Manual was correct at the time of writing. E&OE.





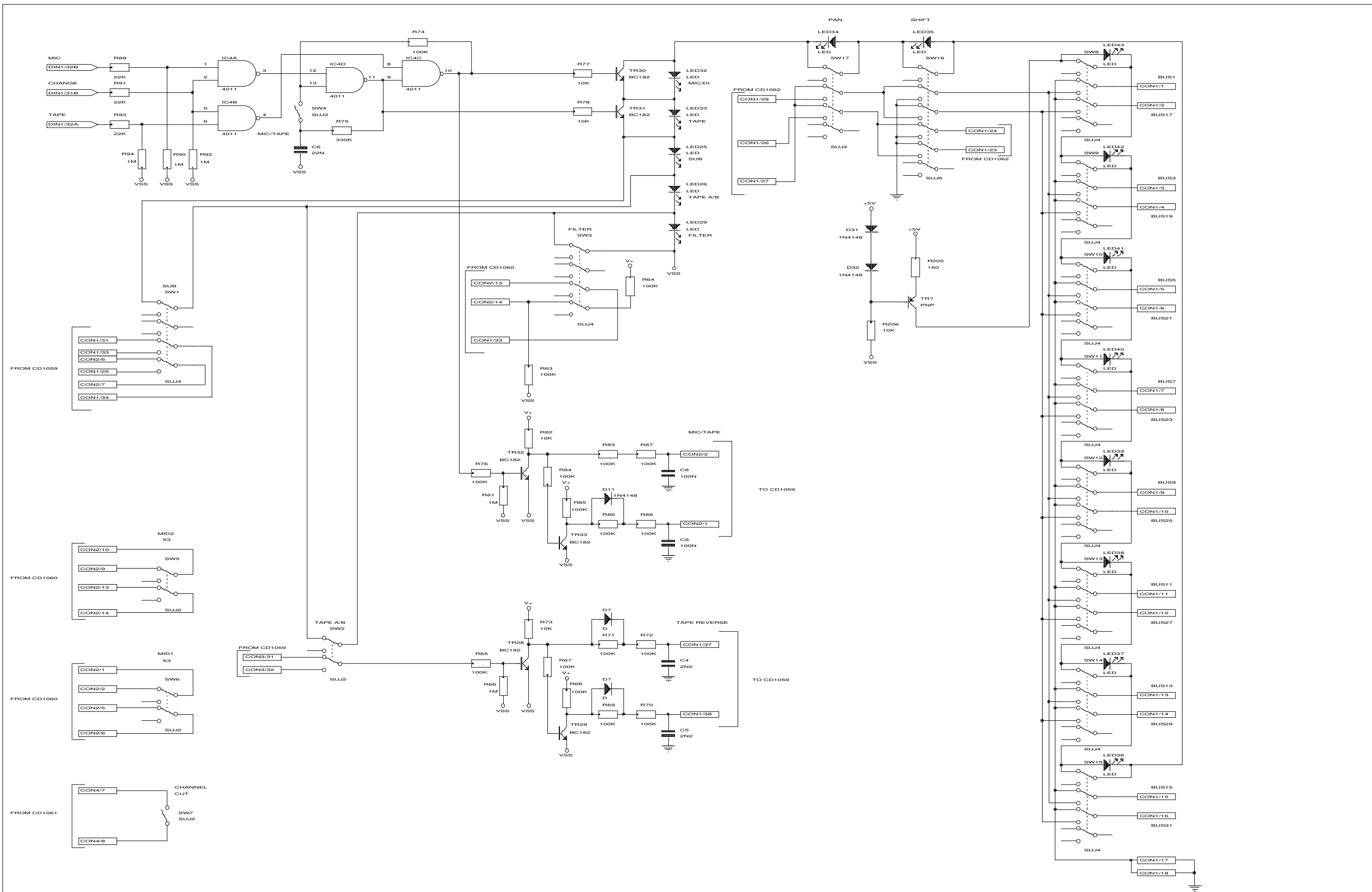
TO CD1062  
ROUTING AND AUXILIARIES





DSD LTD		
Time	CDM33224 MUTE AND SOLO LOGIC	REV
Size	Document Number	2
D	CD1061	2
Date	October 31, 1990	Sheet 4 of 4



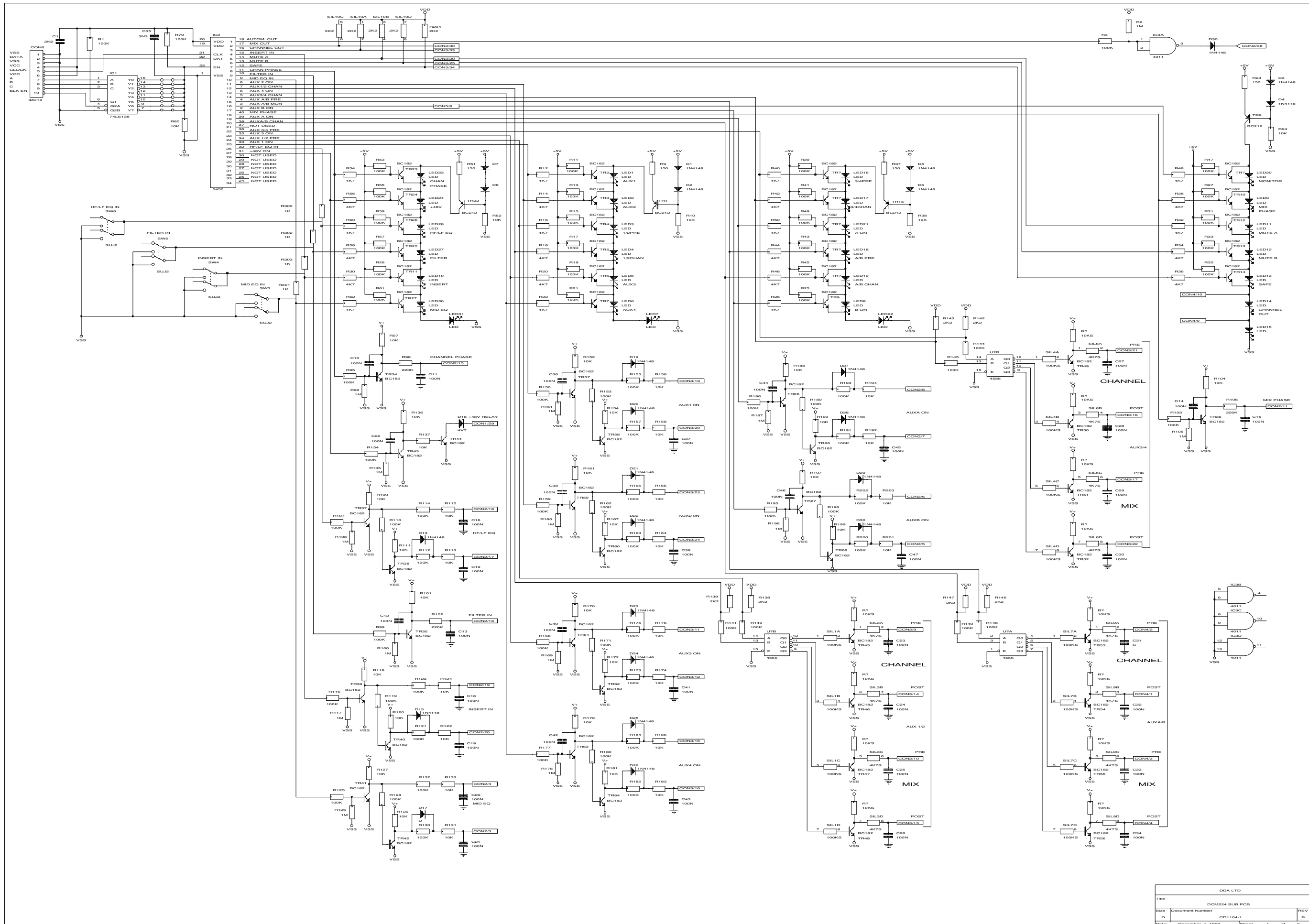


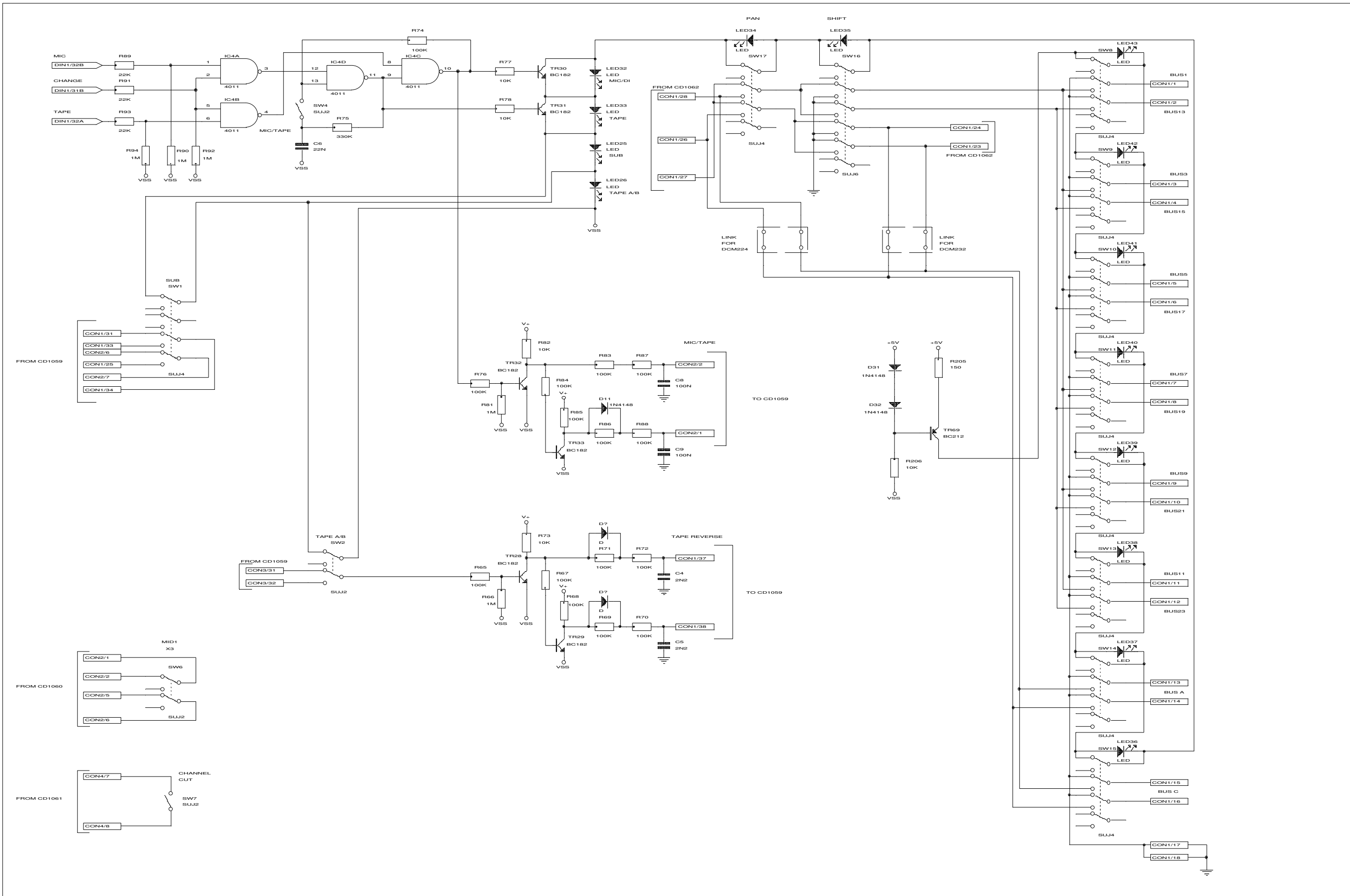
DDA LTD			
Title DCM232 SUB BOARD			
Size C	Document Number CD1066	REV 3	
Date: July 4, 1990	Sheet 2	of 2	



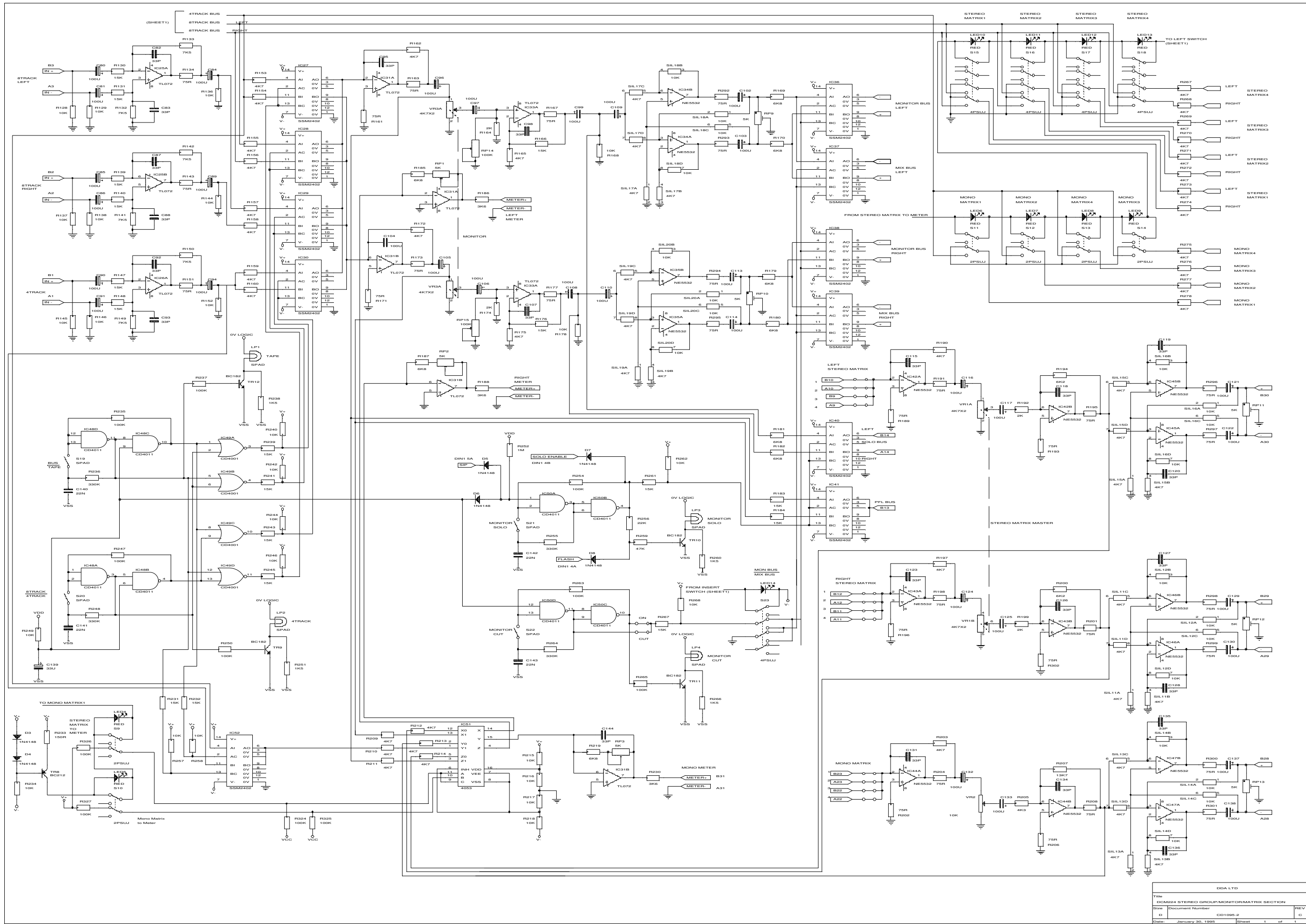






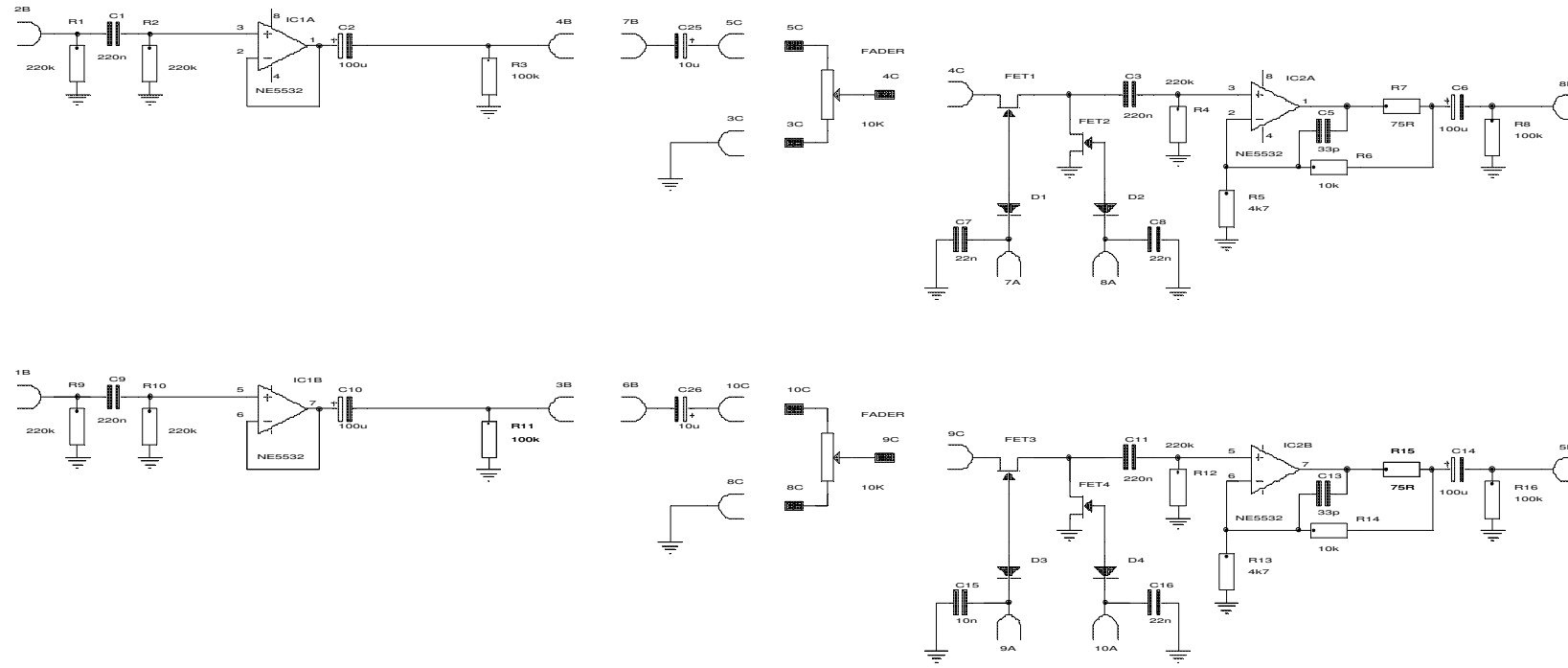


DDA LTD			
Title	DCM224 SUB BOARD		
Size	Document Number	REV	
C	CD1105	1	
Date:	July 3, 1990	Sheet	2 of 2

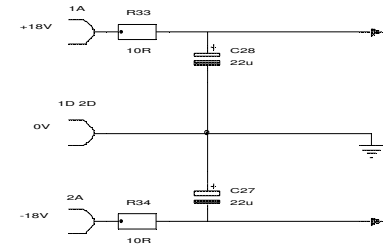




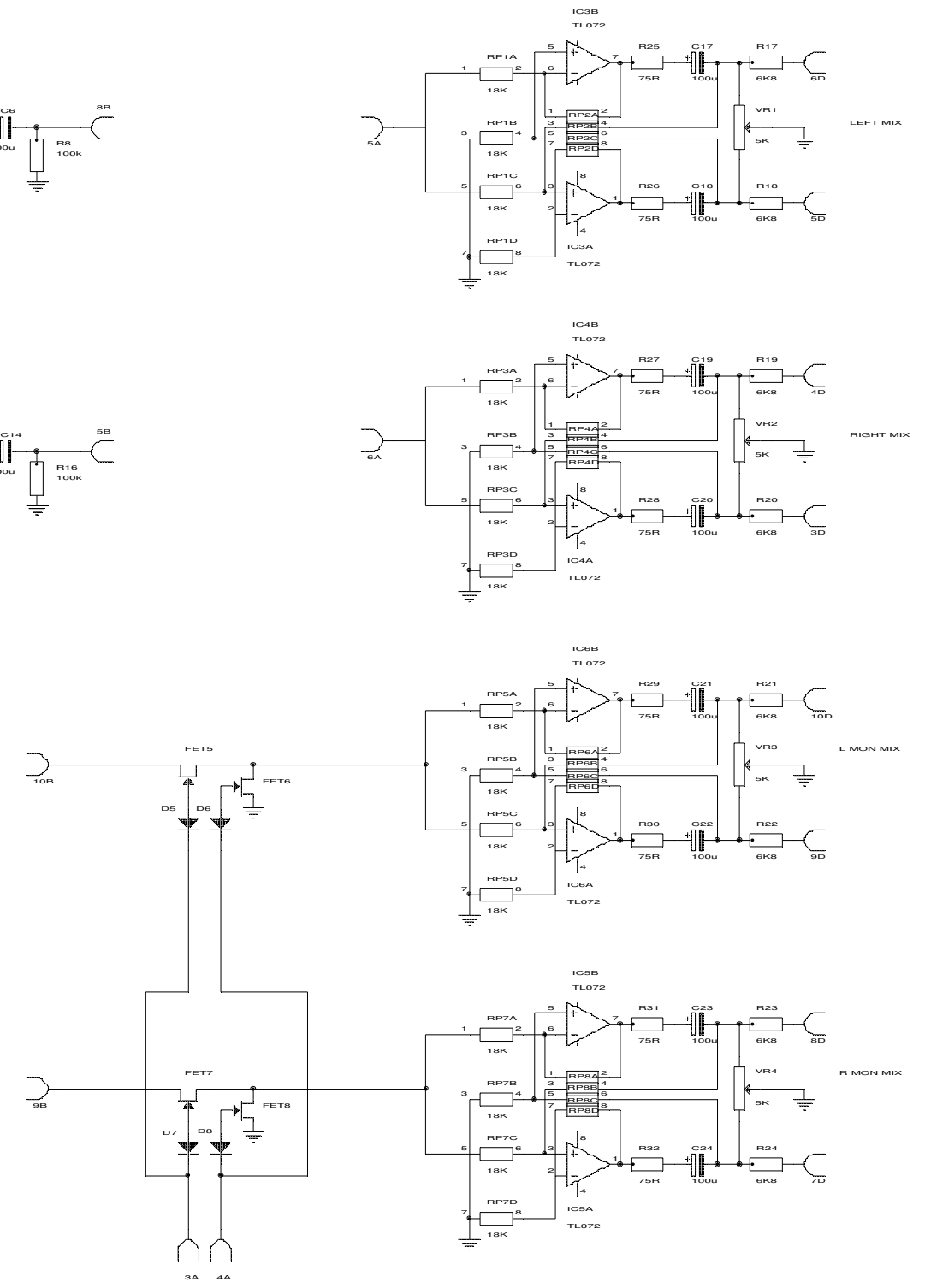
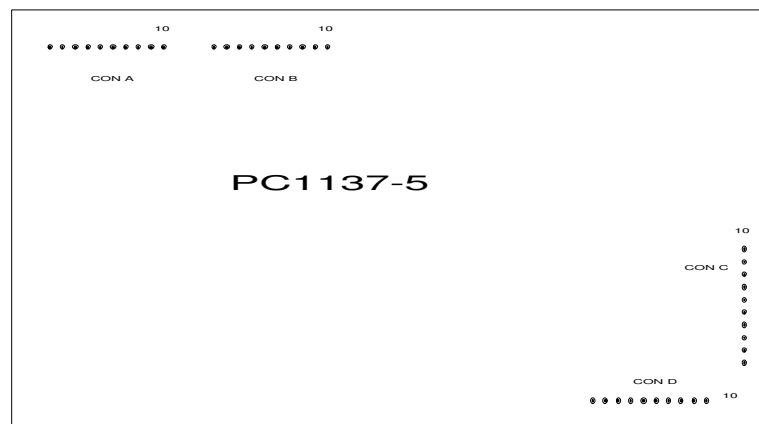
### CHANNEL PATH

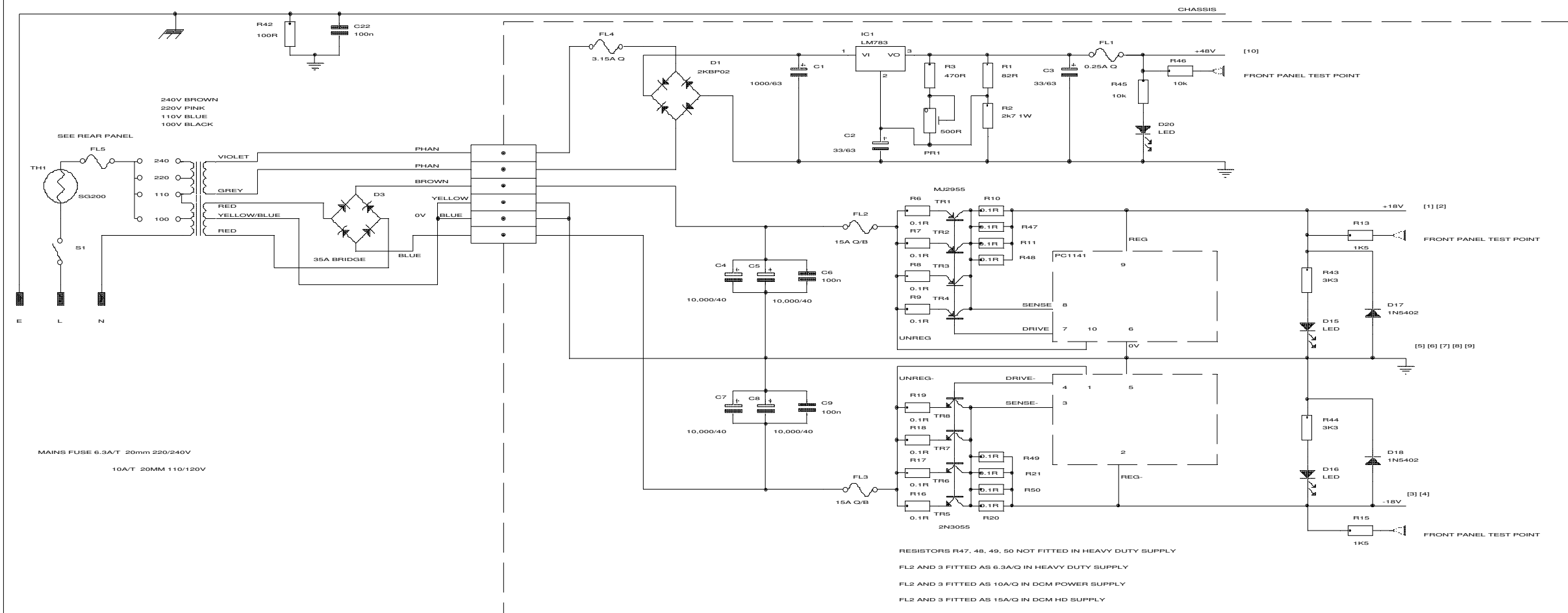


### MIX PATH

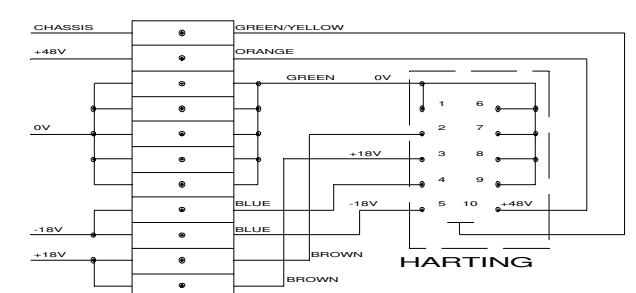
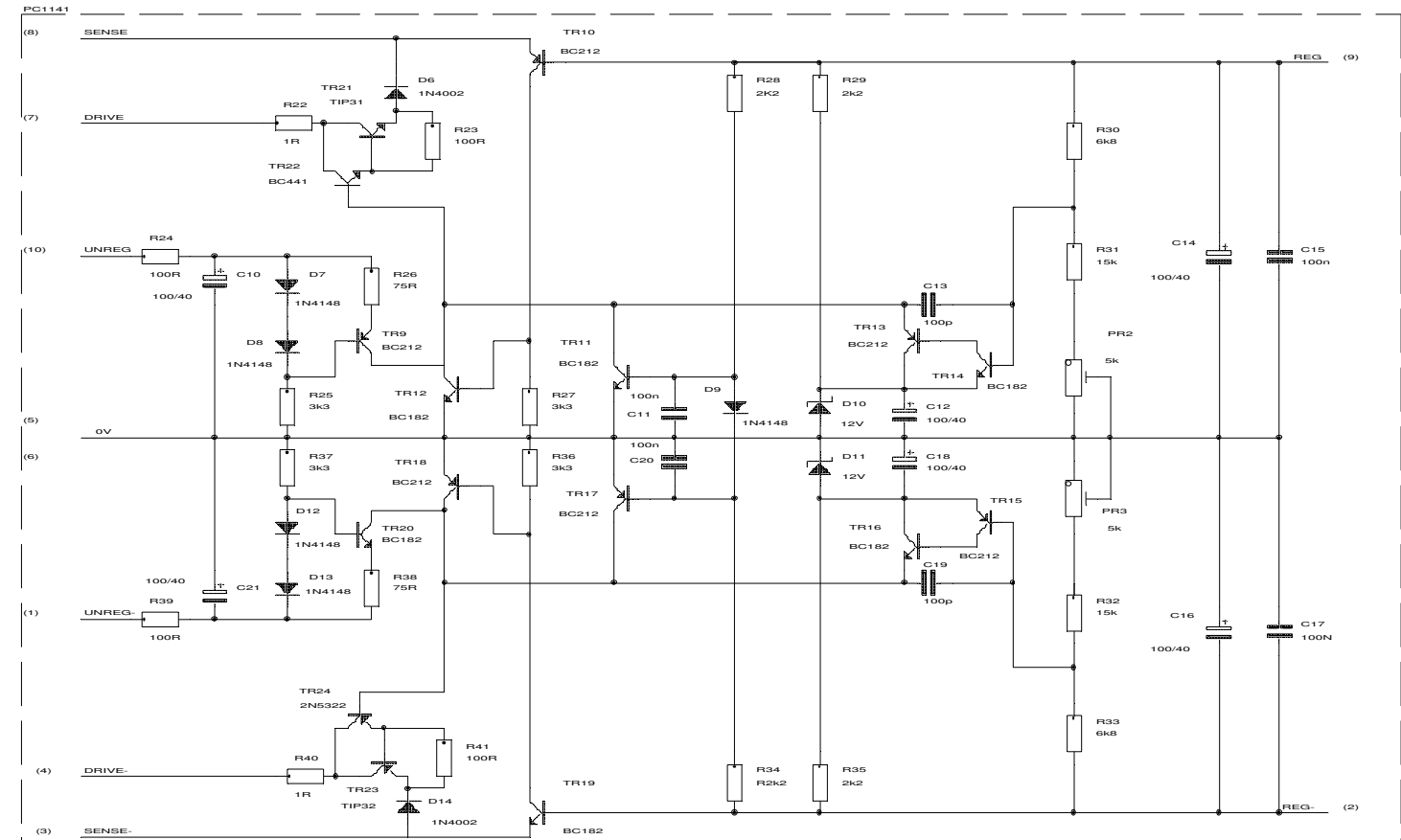


ALL DIODES 1N4148  
ALL FETS J111

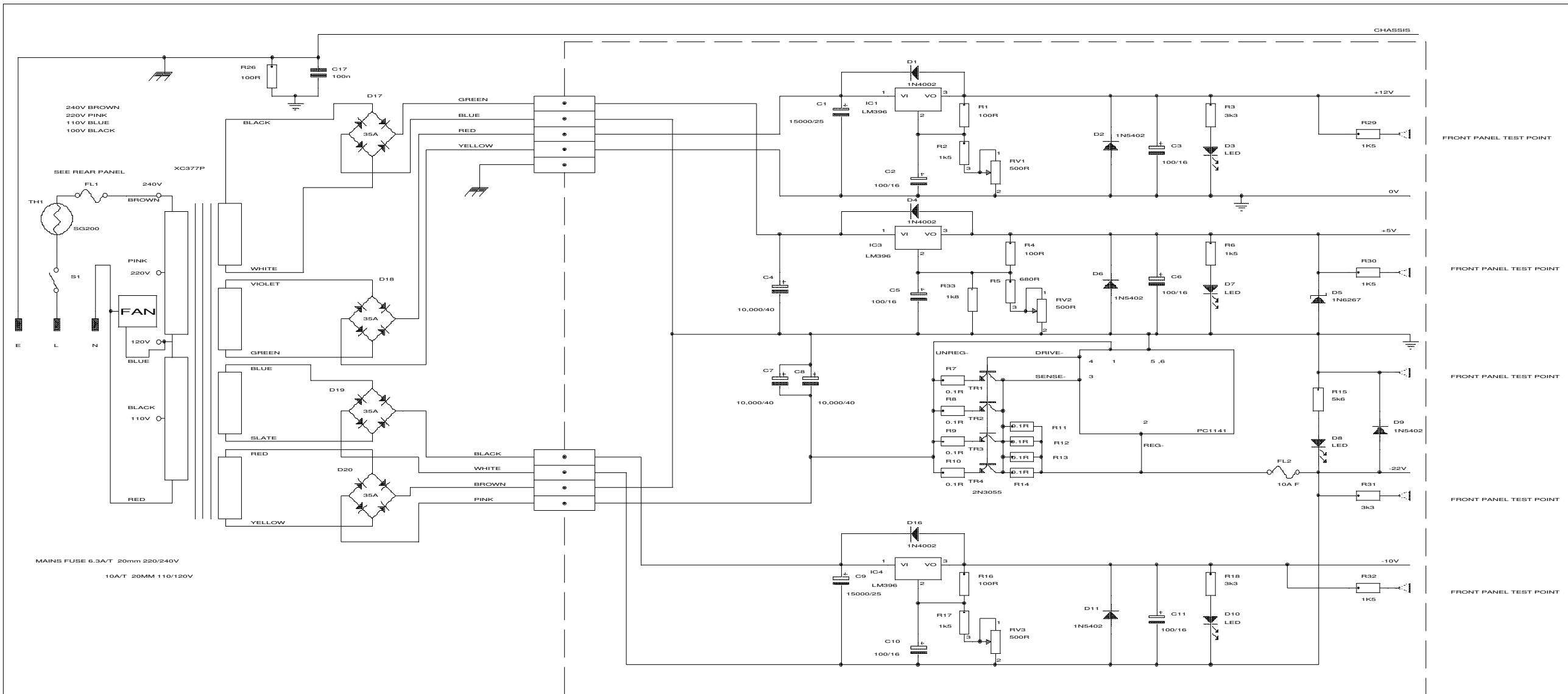




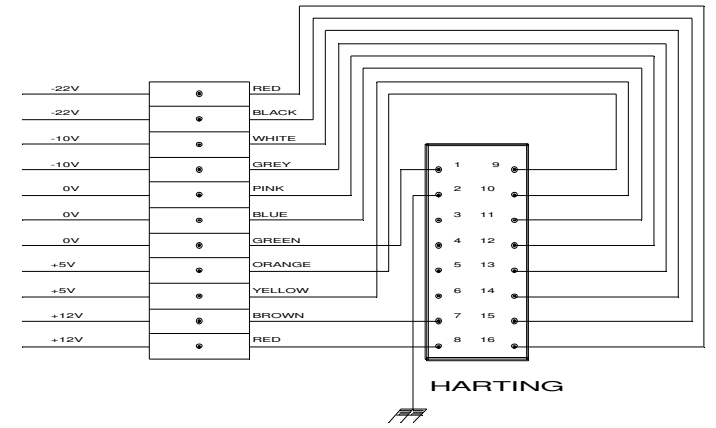
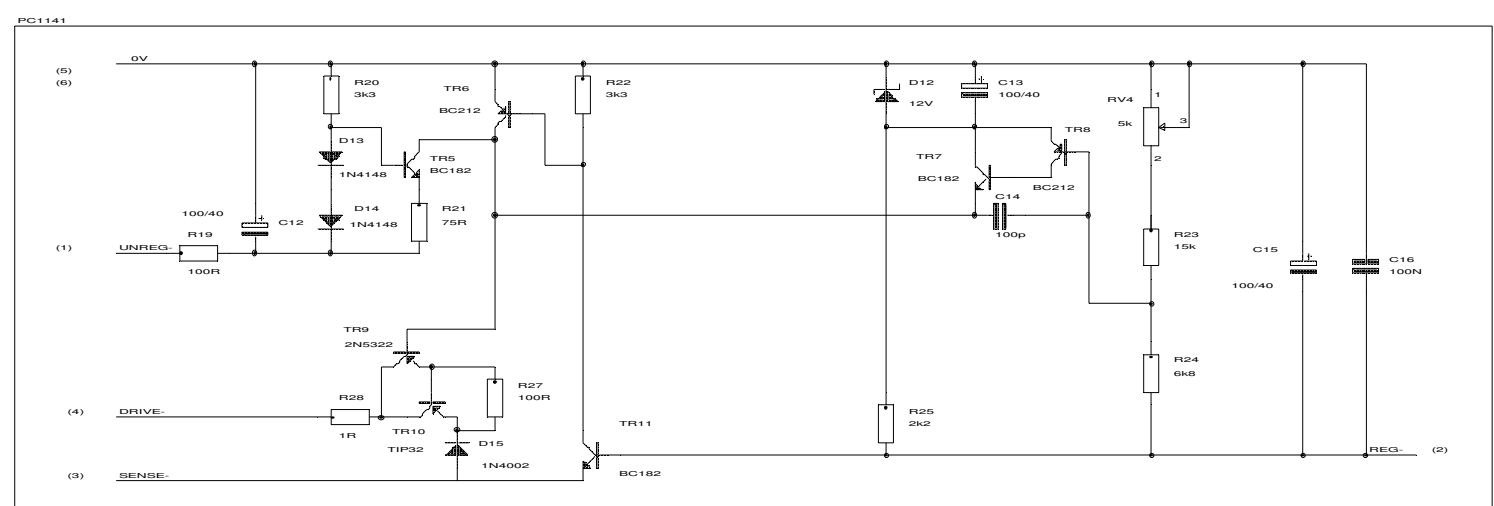
RESISTORS R47, 48, 49, 50 NOT FITTED IN HEAVY DUTY SUPPLY  
 FL2 AND 3 FITTED AS 6.3A/Q IN HEAVY DUTY SUPPLY  
 FL2 AND 3 FITTED AS 10A/Q IN DCM POWER SUPPLY  
 FL2 AND 3 FITTED AS 15A/Q IN DCM HD SUPPLY



DDA LTD.			
Title	HD/DCM/DCM HD AUDIO POWER SUPPLY		
Size	Document Number	CD1219-1	REV
C			A
Date:	December 14, 1993	Sheet	1 of 1

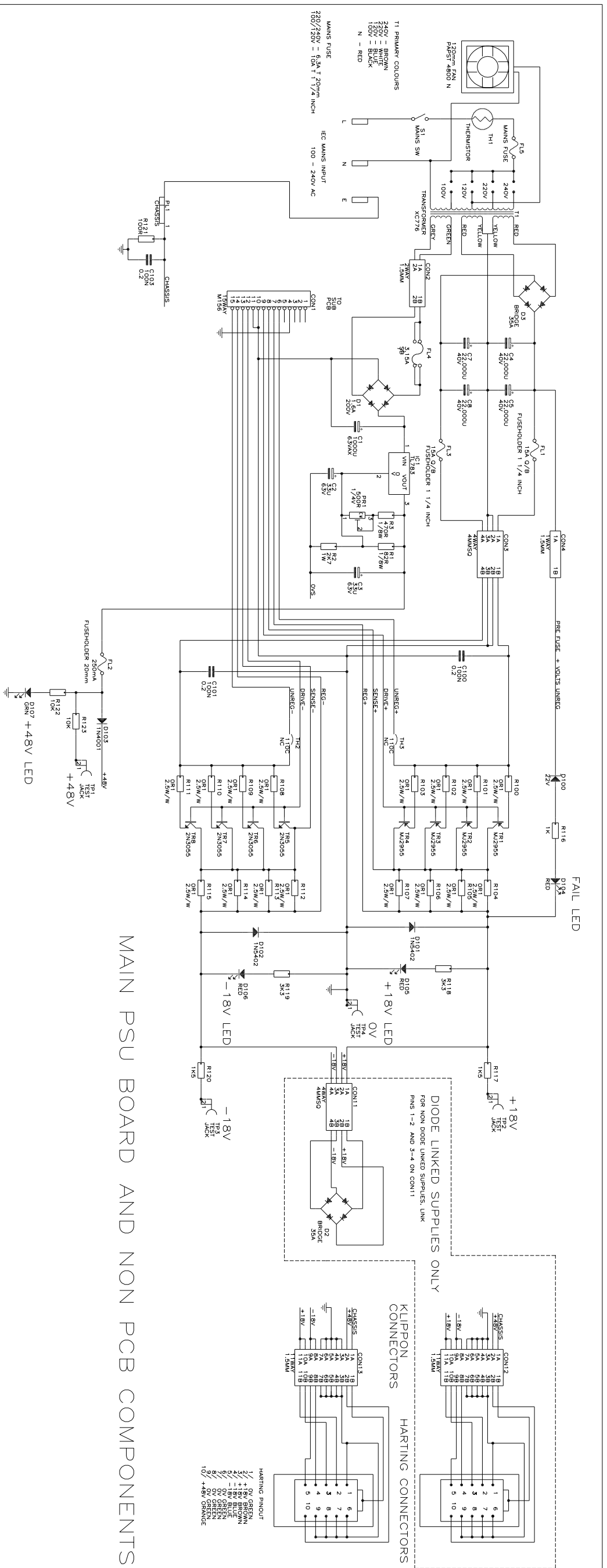


MAINS FUSE 6.3A/T 20mm 220/240V  
10A/T 20MM 110/120V

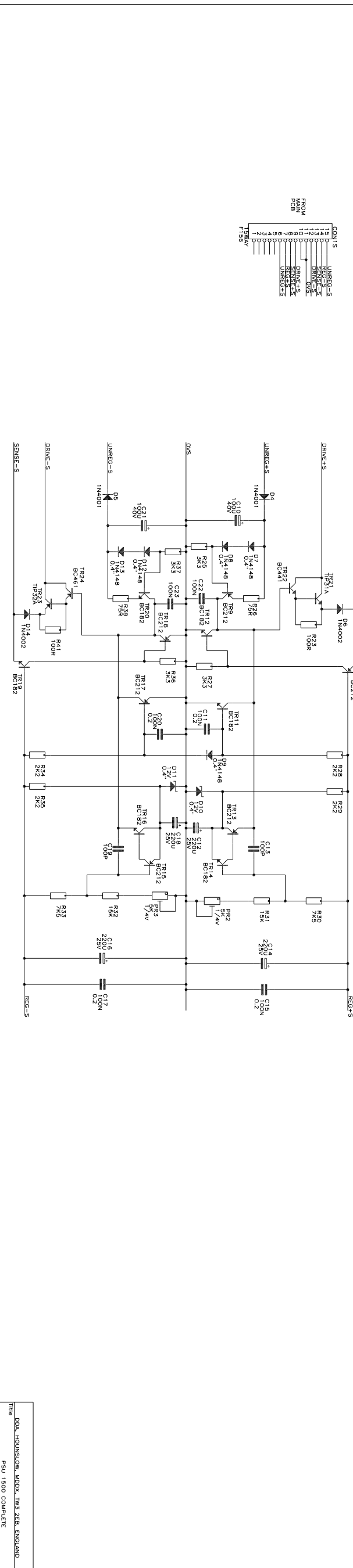


DDA LTD.			
Title	DCM LOGIC POWER SUPPLY UNIT		
Size	Document Number	CD1231-1	REV
C			
Date:	June 23, 1994	Sheet	1 of 1

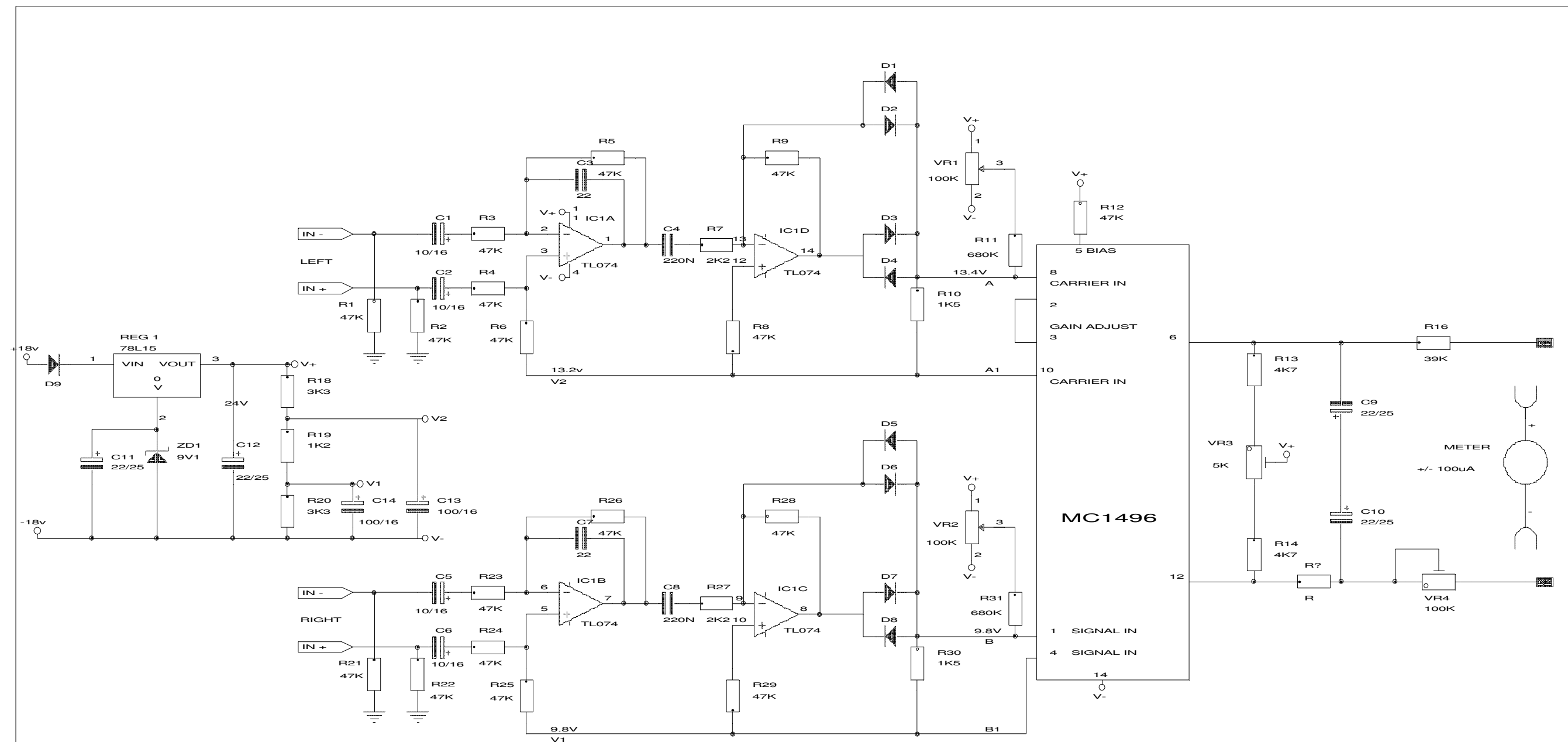




PLUG-IN CONTROL BOARD

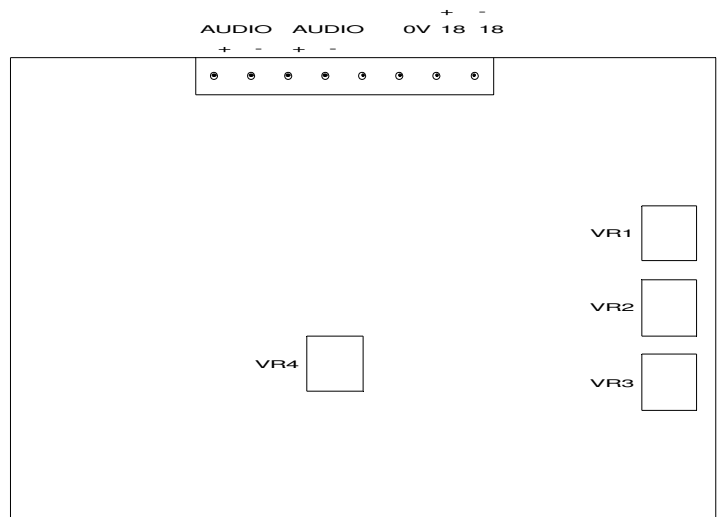


Title	DDA, HOUNSLOW, MODX, TW3, 2EB, ENGLAND
Size	PSU 1500 COMPLETE
Document Number	CD/265-1
REV	A
Date	February 15, 1998
Sheet	1 of 1

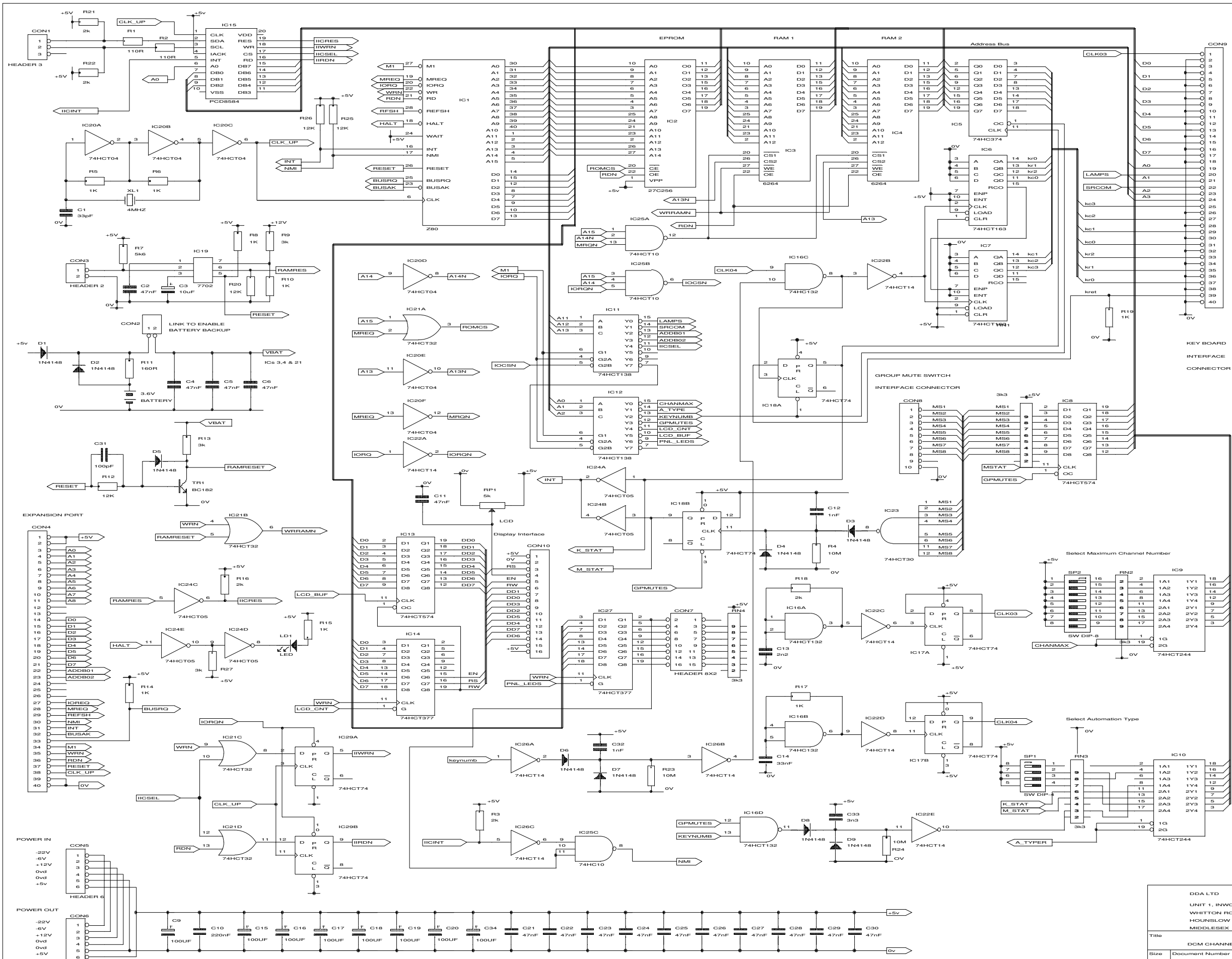


### ALIGNMENT

- ADJUST VR1 FOR SAME VOLTAGE AT 'A' AND 'A1'
- ADJUST VR2 FOR SAME VOLTAGE AT 'B' AND 'B1'
- ADJUST VR3 FOR CENTRE READING ON THE METER
- ADJUST VR4 FOR FSD WITH 0dBv ON BOTH INPUTS (+1 ON METER)
- REVERSE THE PHASE OF ONE INPUT AND CHECK THE METER READS -1

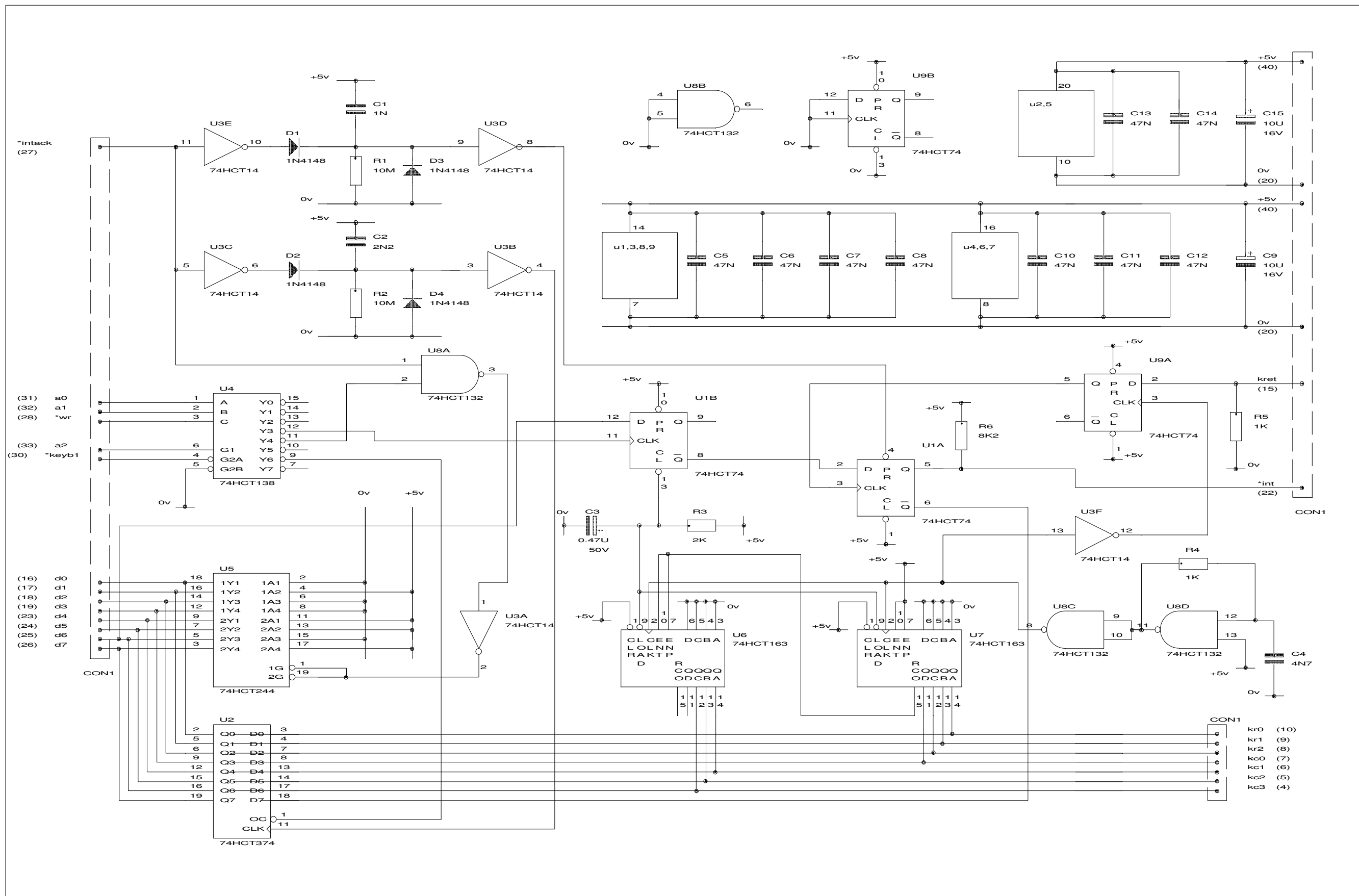


DDA - A MARK MKIV COMPANY		
Title PHASEMETER		
Size B	Document Number CD1249-1	REV A
Date: May 17, 1994	Sheet	of

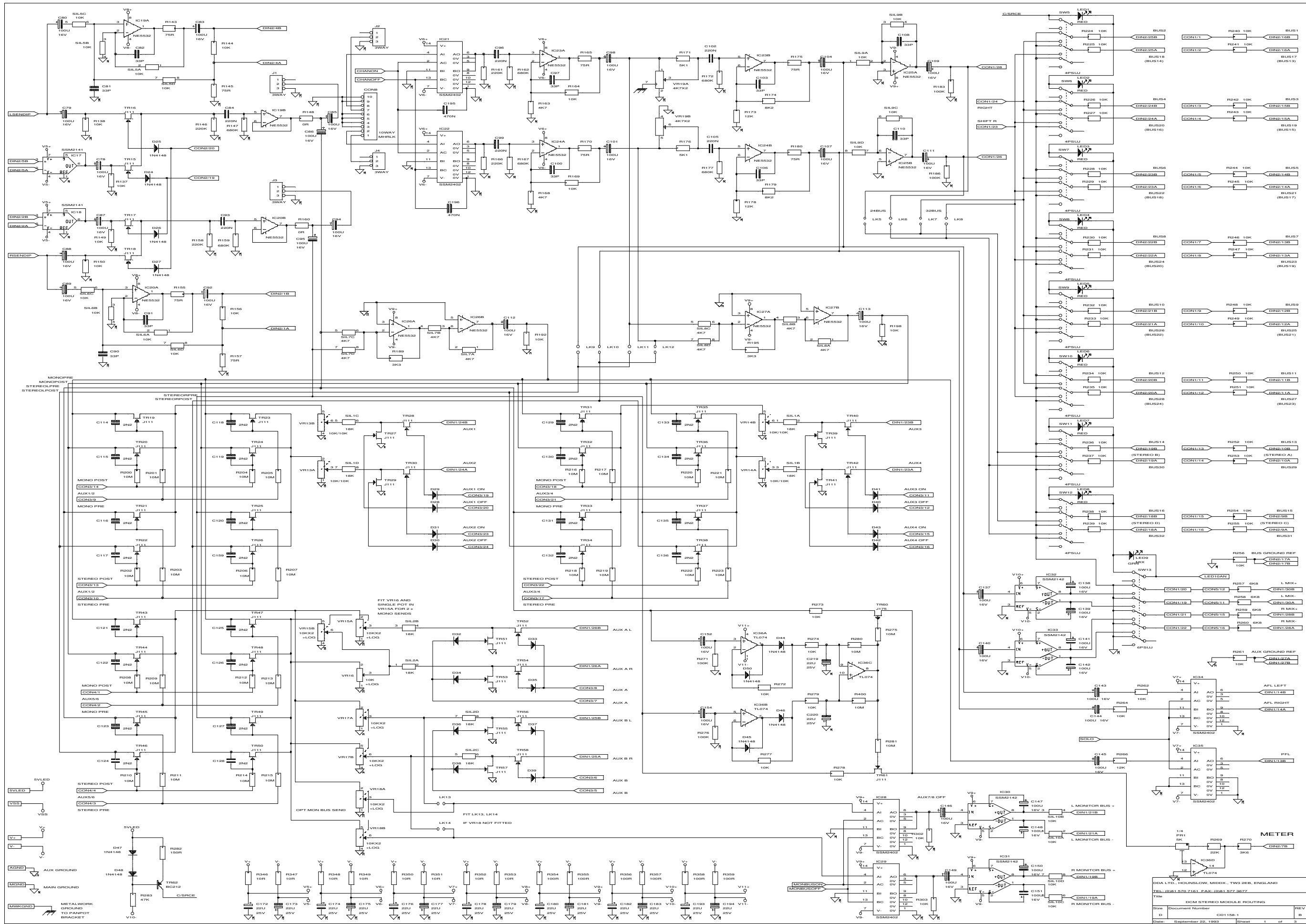


DDA LTD  
 UNIT 1, INWOOD BUSINESS PARK  
 WHITTON ROAD  
 HOUNSLOW  
 MIDDLESEX TW3 2EB

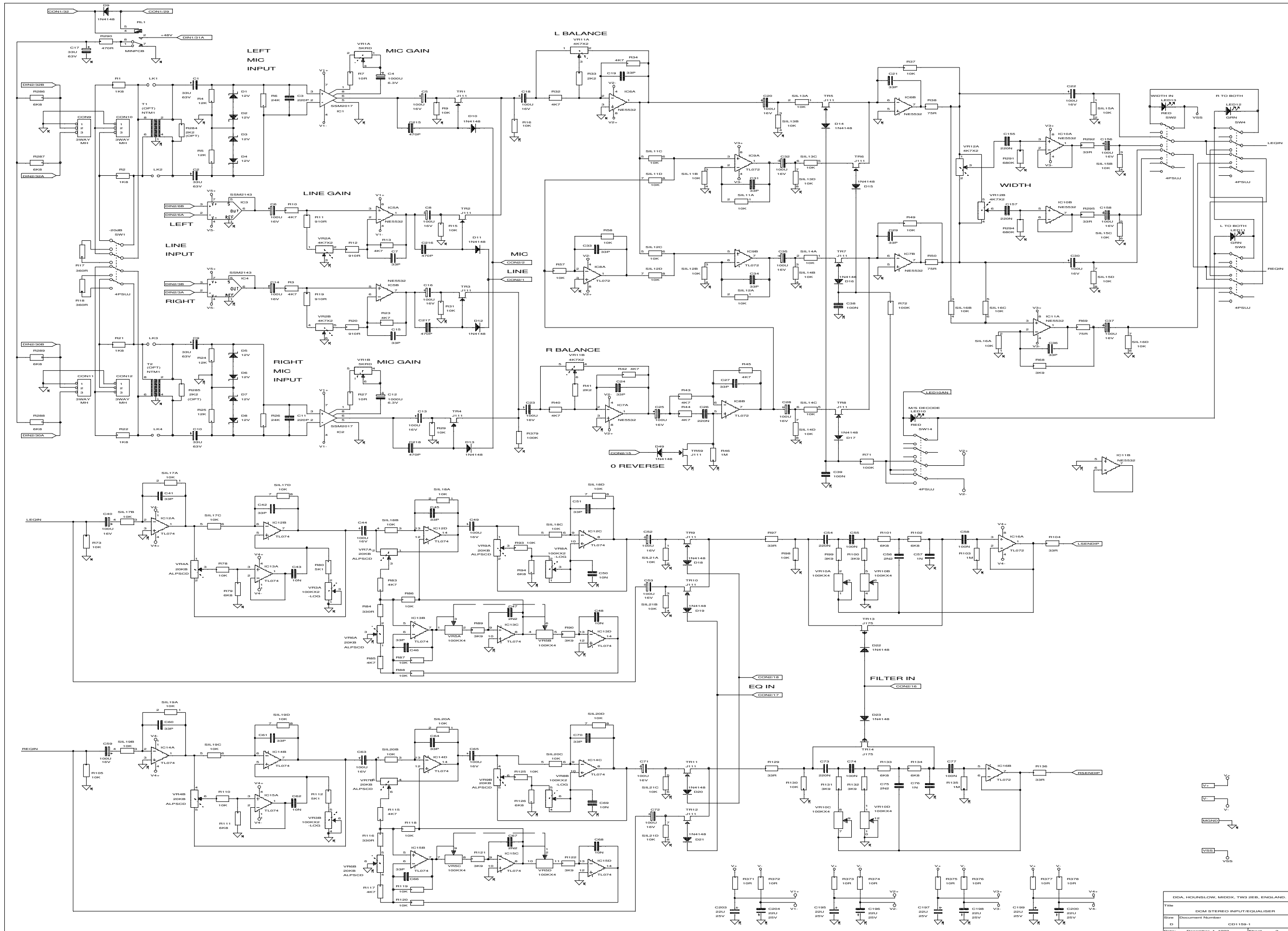
Title: DCM CHANNEL SWITCH CONTROLLER  
 Size: C Document Number: CD1101 Sheet: 1 of 1  
 Date: October 30, 1991

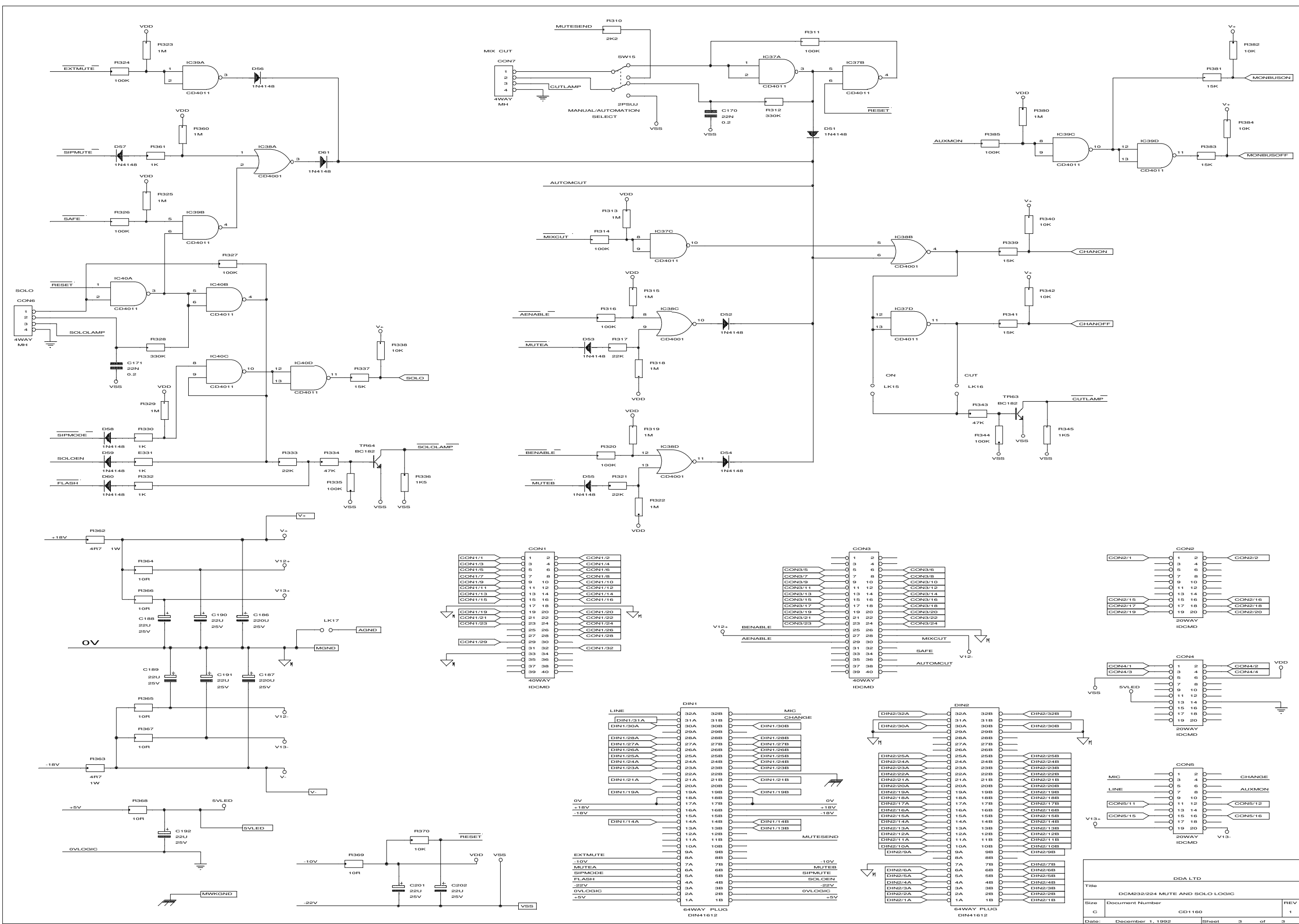


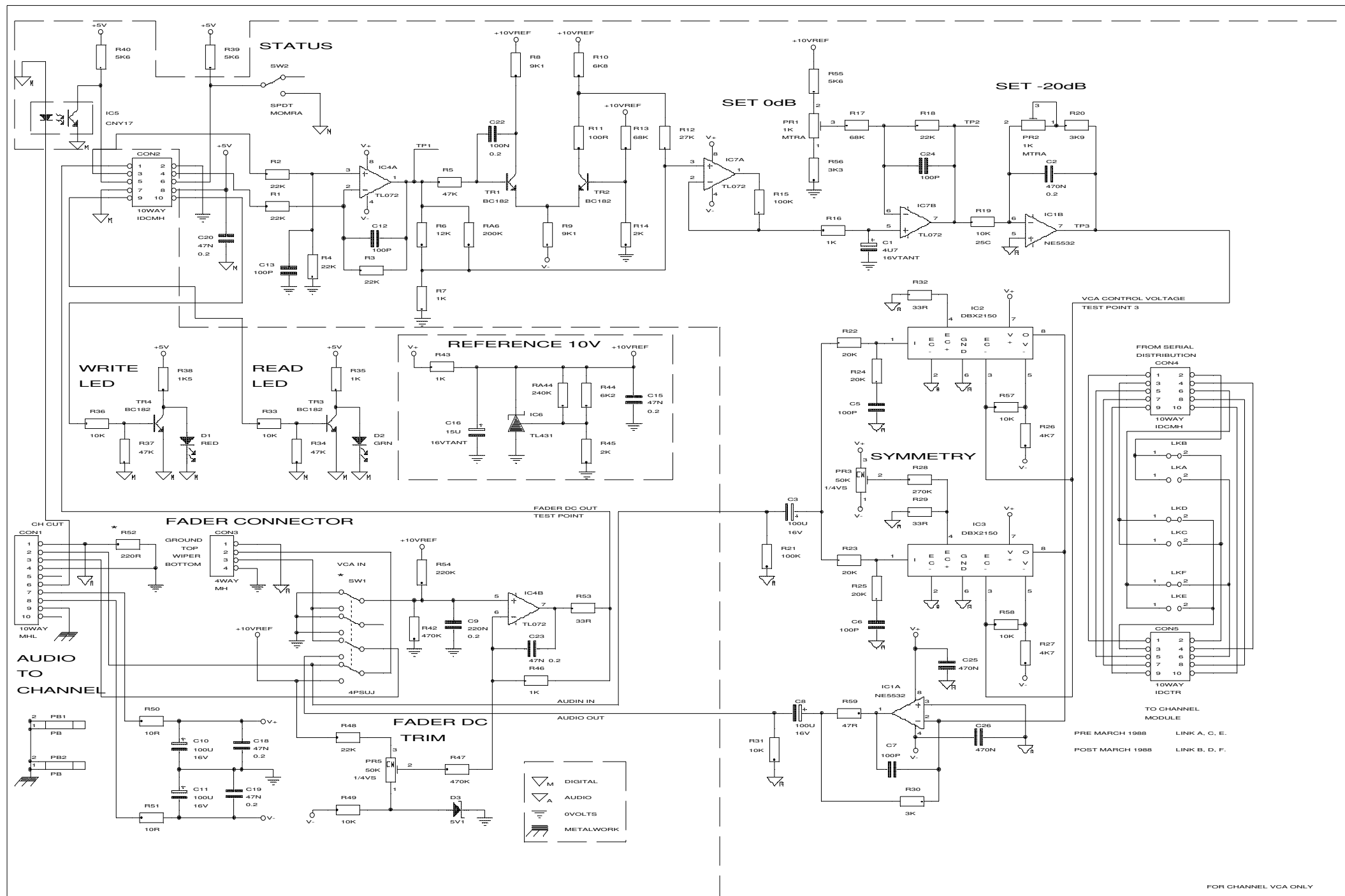
DDA, HOUNSLOW, MIDDX, TW3 2EB, ENGLAND.		
Title		
DCM 232/224 KEYBOARD EMULATOR		
Size	Document Number	REV
B	CD1092-3	A
Date:	October 20, 1992	Sheet 1 of 1



SIDA LTD., HOUNSLOW, MIDDLESEX., TW3 2EB, ENGLAND  
 TEL: (081) 672 7161 FAX: (081) 672 3677  
 Title: CD4 STEREO MODULE ROUTING  
 Doc: Document Number  
 Id: CD1158-1  
 Date: September 22, 1993 Sheet 1 of 3







\* ON CHANNEL VCA FIT 220R FOR R52.  
ON GROUP VCA FIT 0R(LINK) FOR R52.

FOR 'GROUP VCA' AND 'CHANNEL VCA'

DDA, HOUNSLOW, MDDX, TW3 2EB ENGLAND			
Title	DCM VCA FADER (PC1373-2)		
Size	Document Number	CD1255-2	REV
C			B
Date:	December 12, 1995	Sheet	1 of 1